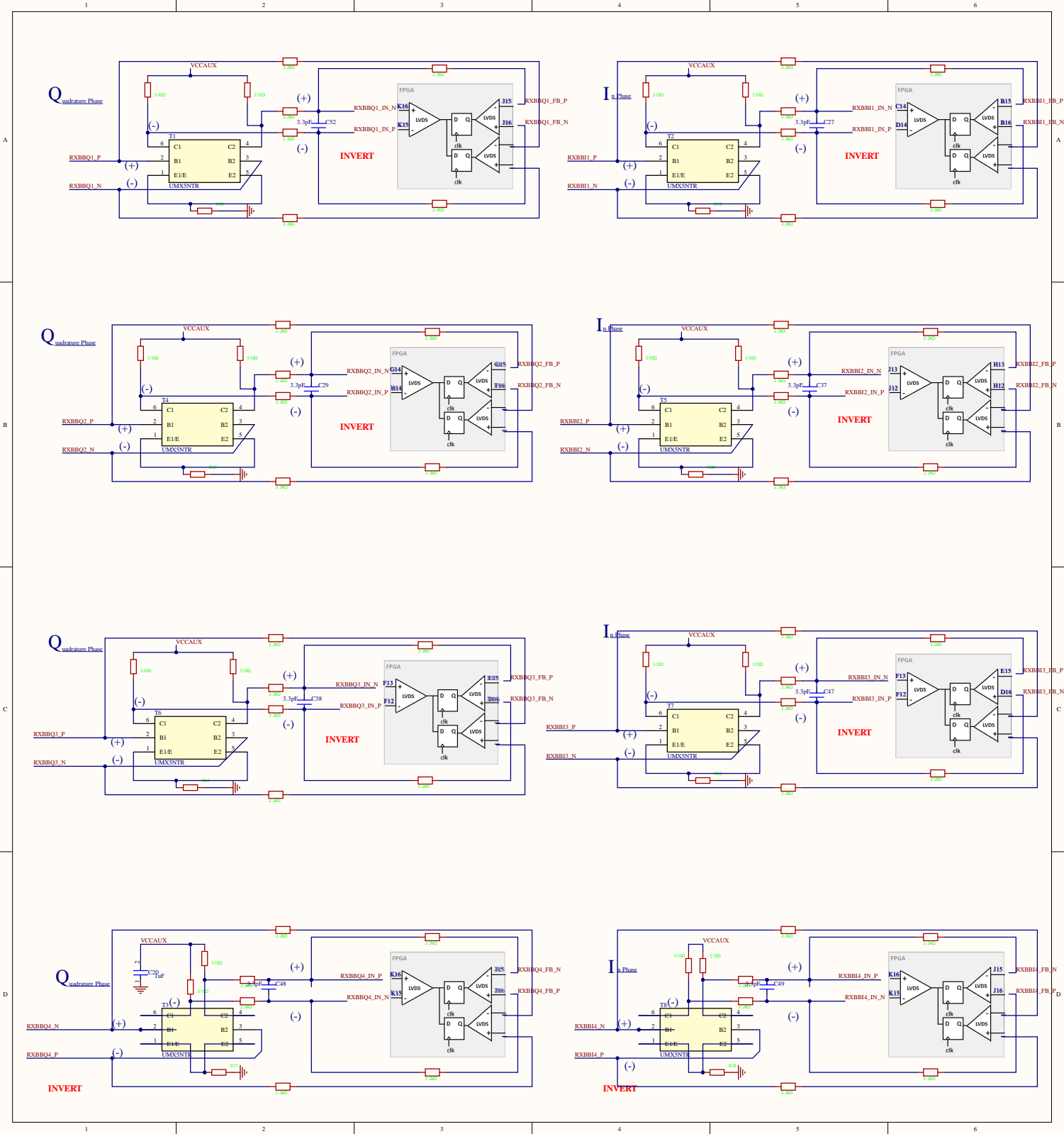
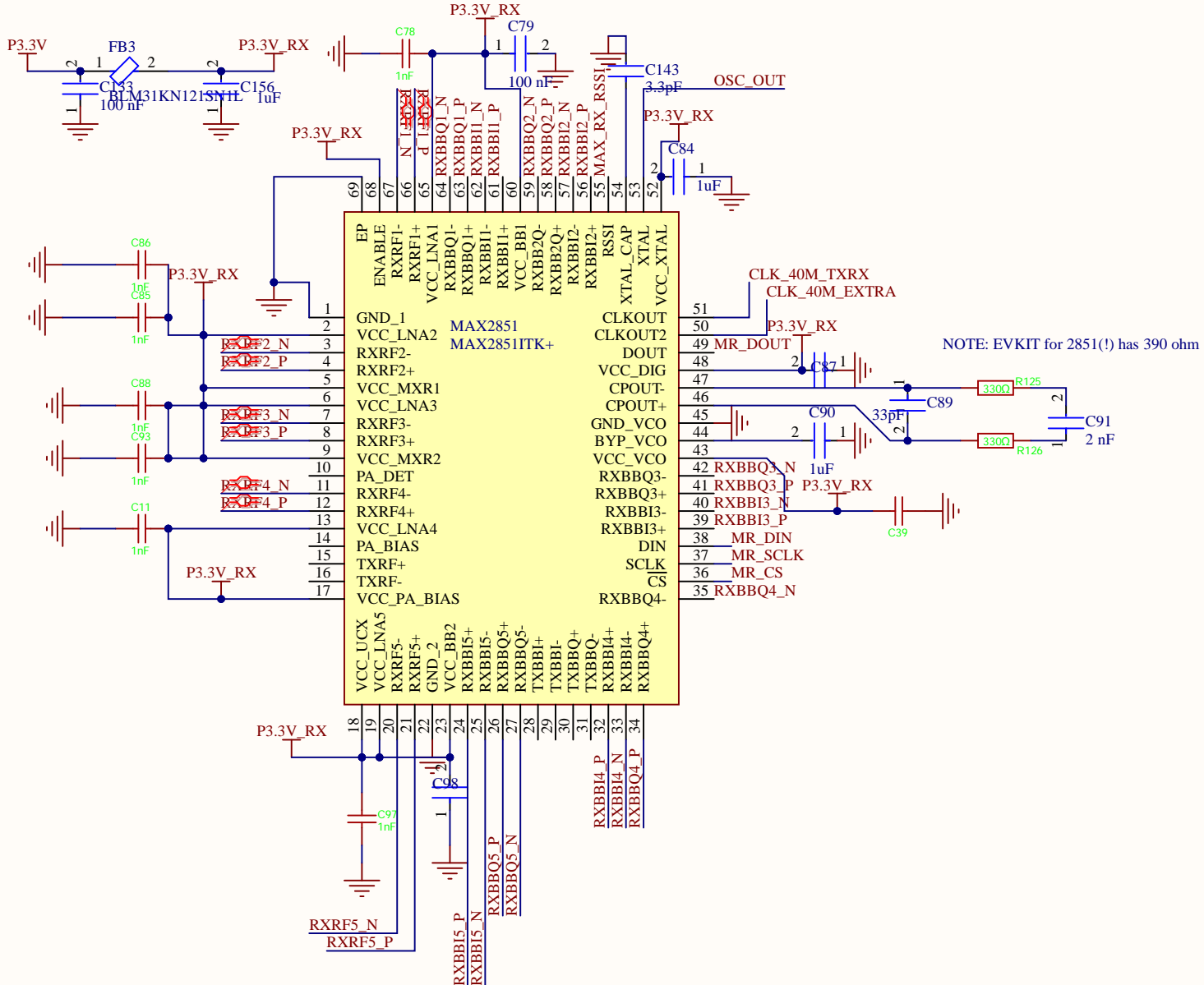


Designed in Santa Barbara

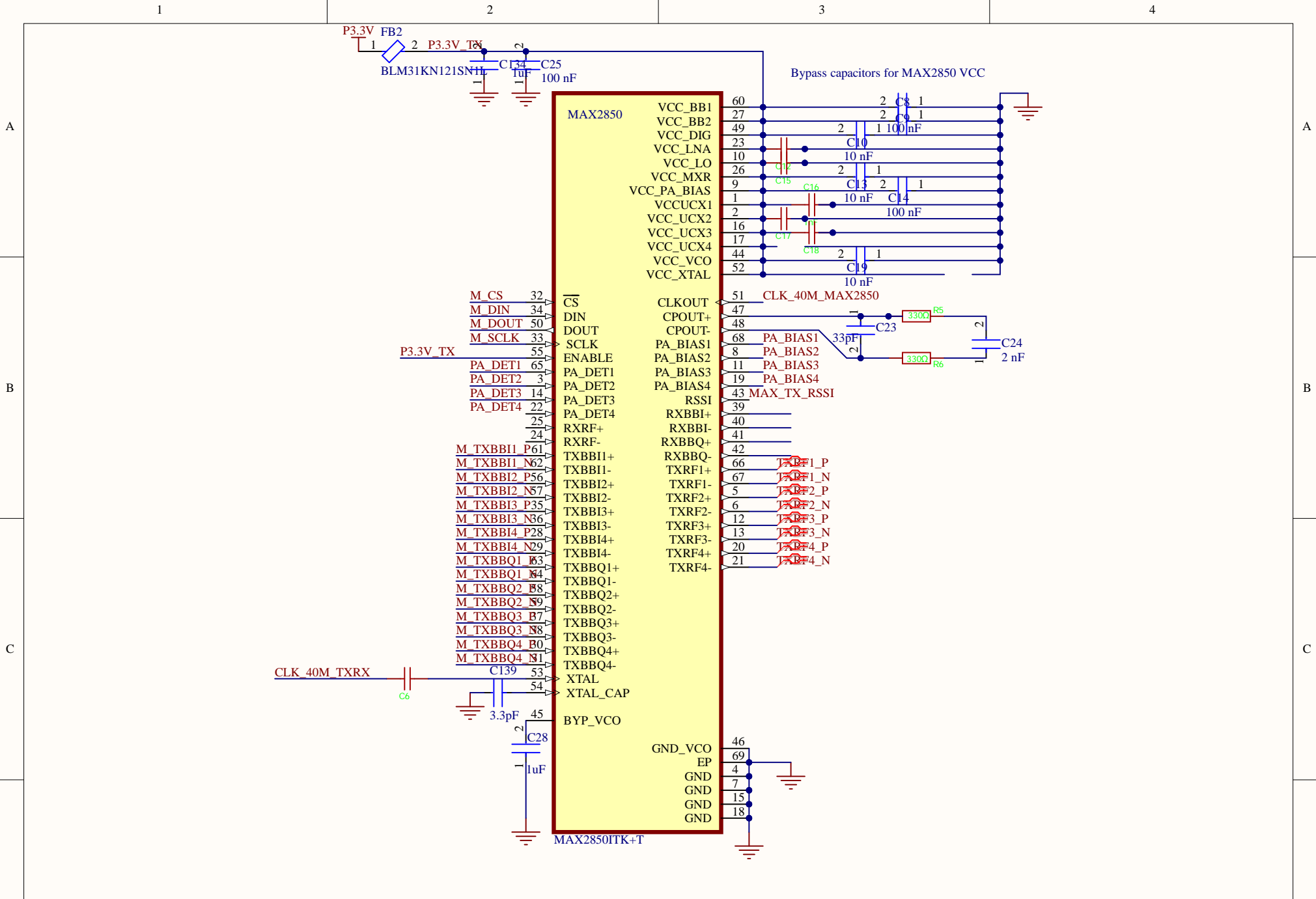
OpenSpace
1st Edition



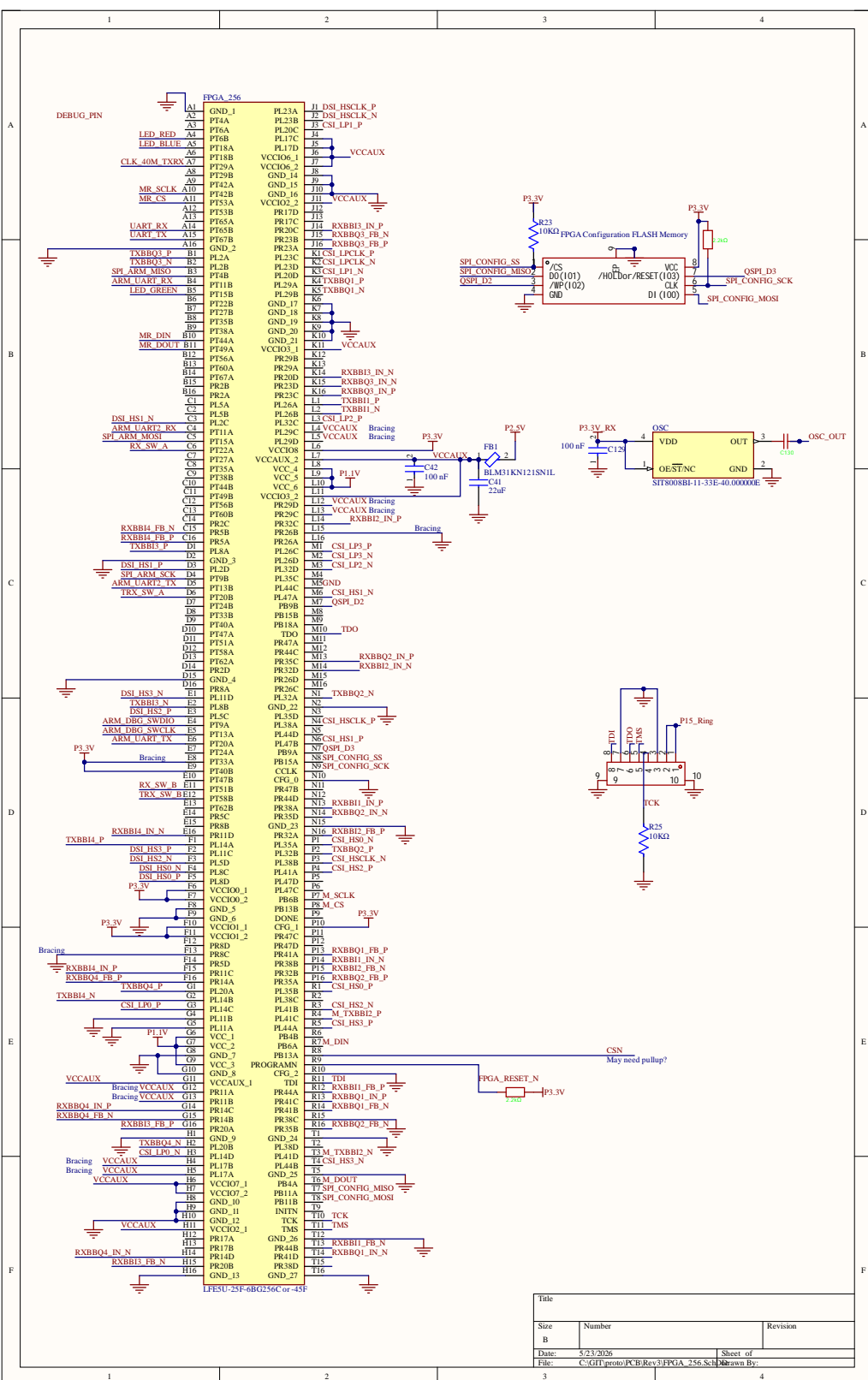


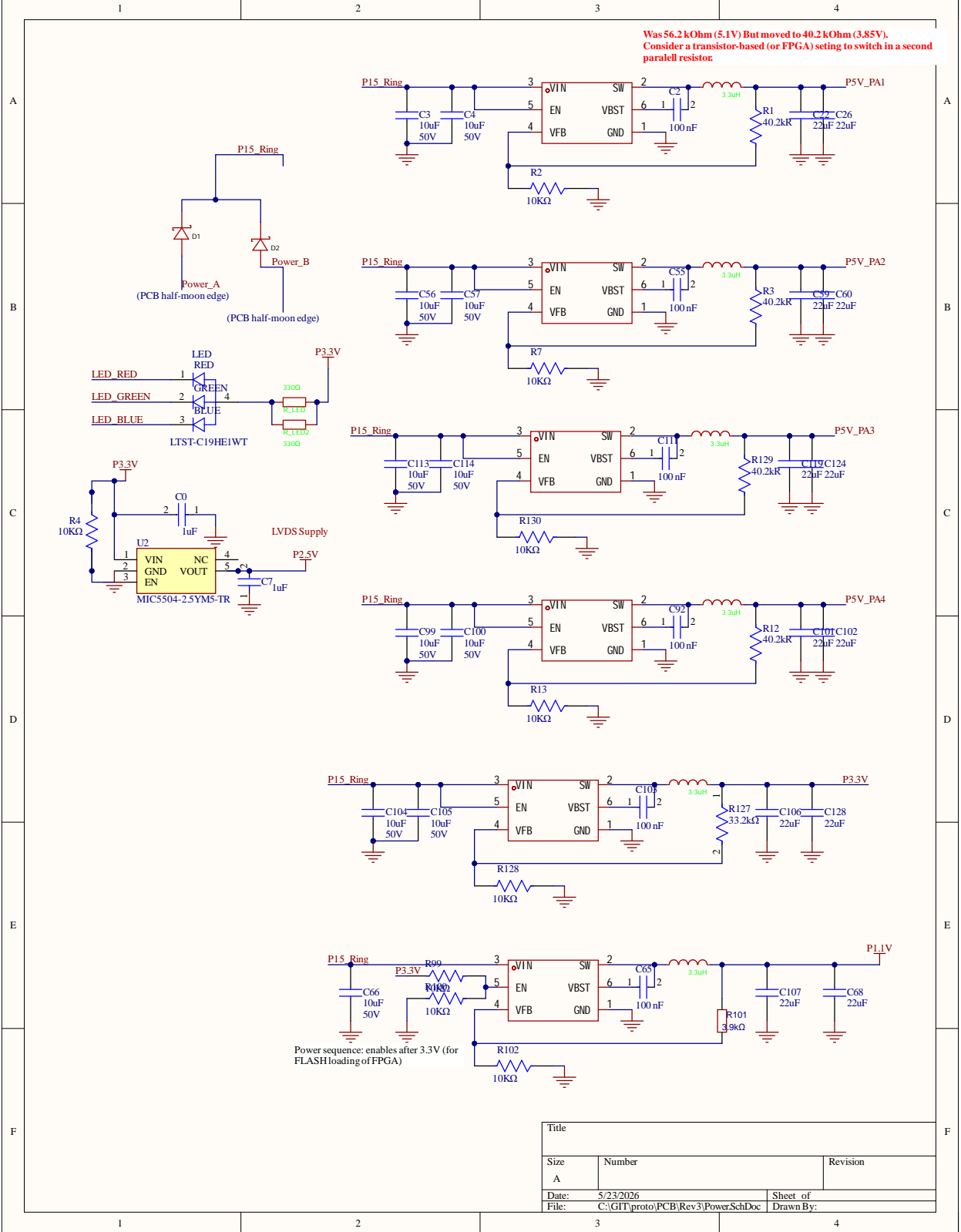
NOTE: EVKIT for 2851(1) has 390 ohm

Title		
Size	Number	Revision
A		
Date:	5/23/2026	Sheet of
File:	C:\GIT\proto\PCB\Rev3\MAX2851.SchDoc	Drawn By:

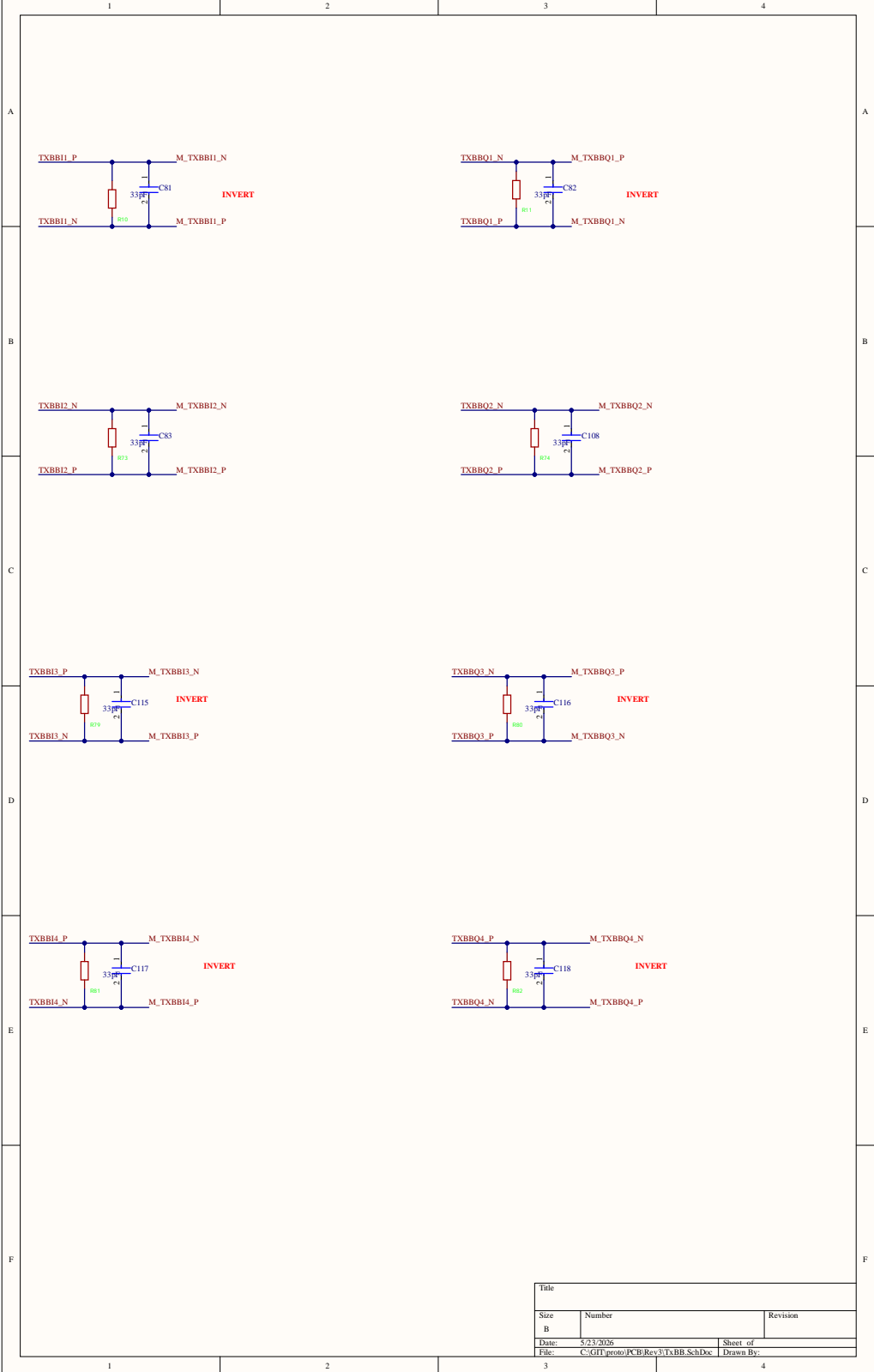


Title		
Size	Number	Revision
A		
Date:	5/23/2026	Sheet of
File:	C:\GIT\proto\PCB\Rev3\MAX2850.SchDoc	Drawn By:





Title		
Size	Number	Revision
A		
Date: 5/23/2026		Sheet of
File: C:\GIT\proto\PCB\Rev3\Power\SchDoc		Drawn By:



Title		
Size	Number	Revision
B		
Date:	5/23/2026	Sheet of
File:	C:\GIT\proto\PCB\Rev3\TXBB_SchDoc	Drawn By:

NOTICE

These design files are released under CC BY-SA 4.0 which covers copyright of the schematic design files. It allows copying, sharing, and adaptation of the file itself under CC BY-SA 4.0, subject to attribution and ShareAlike. If you choose to modify the design files, you should share the modified design files under the same license and credit "The QuadRF by Scale RF Inc."

License deed: <https://creativecommons.org/licenses/by-sa/4.0/>

Legal code: <https://creativecommons.org/licenses/by-sa/4.0/legalcode.en>

CC BY-SA 4.0 does not grant any patent license, manufacturing license, mask-work license, trademark license, trade-secret license, regulatory approval, export authorization, equipment authorization, or right to manufacture, have manufactured, reproduce as physical hardware, copy, clone, sell, offer for sale, import, distribute, or commercialize physical RF Board / Tile hardware.

The QuadRF RF Board / Tile and related RF-core technology are all rights reserved and patent pending. No right is granted by this repository, by CC BY-SA 4.0, by publication of schematics, by purchase of a Scale RF product, or by the Scale RF antenna patent covenant to manufacture, have manufactured, reproduce as a physical article, copy, clone, sell, offer for sale, import, distribute, or create derivative physical RF Board / Tile hardware.

Debugging schematics and reference materials may be incomplete, simplified, redacted, version-specific, preliminary, or not sufficient for manufacture. Scale RF provides no warranty that any schematic, diagram, note, or debugging file is accurate, complete, manufacturable, safe, compliant, suitable for transmission, suitable for repair, or suitable for any particular use or jurisdiction.